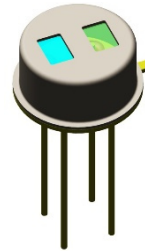


## LIM-272-#

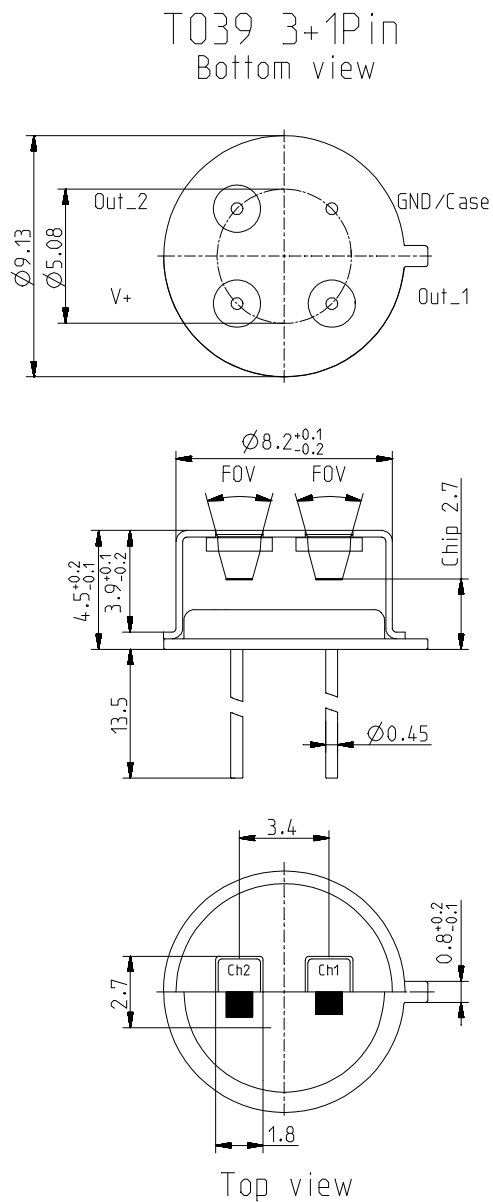
## Planar multi channel pyroelectric detector

### Description:

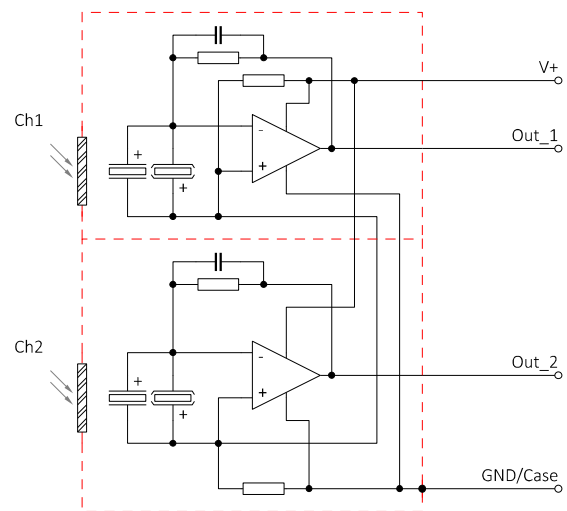
dual channel; TO39 housing; small chip size; thermal compensation;  
OpAmp; ultra low power consumption; single supply; current mode; feedback 100 GOhm;



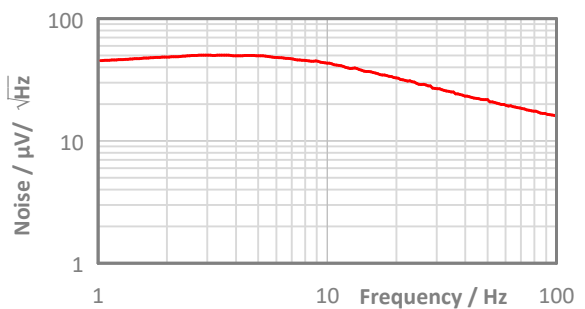
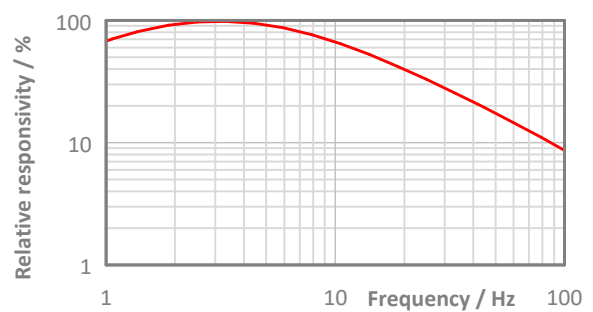
### Housing:



### Pin Assignment:



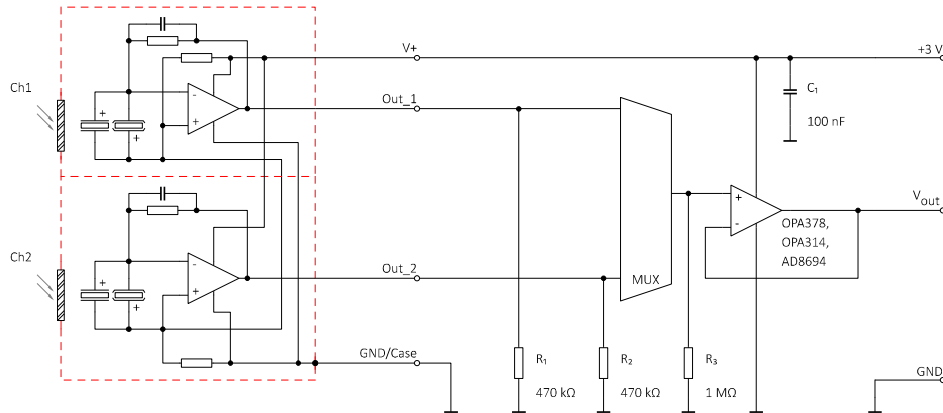
### Frequency Response:



## LIM-272-#

## Planar multi channel pyroelectric detector

### Test Circuit:



### Parameters:

Aperture size	nom	∅ 6.0 mm, single channel 2.7 × 1.8 mm <sup>2</sup>
Element size / type	nom	1.8 × 1.0 mm <sup>2</sup> lithium-tantalate with black layer
Thermal time constant	typ	150 ms
Feedback resistor	nom	100 GΩ ±20 %
Feedback capacitor	nom	0.2 pF ±0.1 pF
Polarity	nom	Negative signal by positive IR flux change
Voltage responsivity (rms) {500 K, 10 Hz, 25 °C, without filter/window}	min	60,000 V/W
Noise density (rms) {10 Hz, BW 1 Hz, 25 °C}	max	50 μV/√Hz
Detectivity {500 K, 10 Hz, BW 1 Hz, 25 °C, without filter/window}	typ	3.0E+08 cmVHz/W
CMOS operational amplifier	nom	OpAmp3
Operating supply voltage V+		2.7 ... 10 V
Recommended supply voltage V+	nom	V+ = +3 V
Supply current {output load 1 MΩ}	max	75 μA
Offset voltage {25 °C; output load 1 MΩ}		V+/2 ±10%
Optimal output load	nom	470 kΩ
Absolute output current	max	1 mA
Operating / Storage temperature	nom	-40 ... +85 °C
IR filter		Combinations of all InfraTec standard narrow band pass filters are available. Customized filters upon request.
Filter sizes	nom	Rectangular filters: (3.50 × 2.50) mm ±0.1 mm Circular filters: not applicable Standard thickness: 0.50 mm +0.2/-0.1 mm Thickness range 0.70 ... 1.10 mm on request
Field of View	min	CaF2 or BaF2; 0.4 mm thick: not applicable Silicon substrate; 0.5 mm thick: 30°

InfraTec reserves the right to change these specifications at any time without notification.